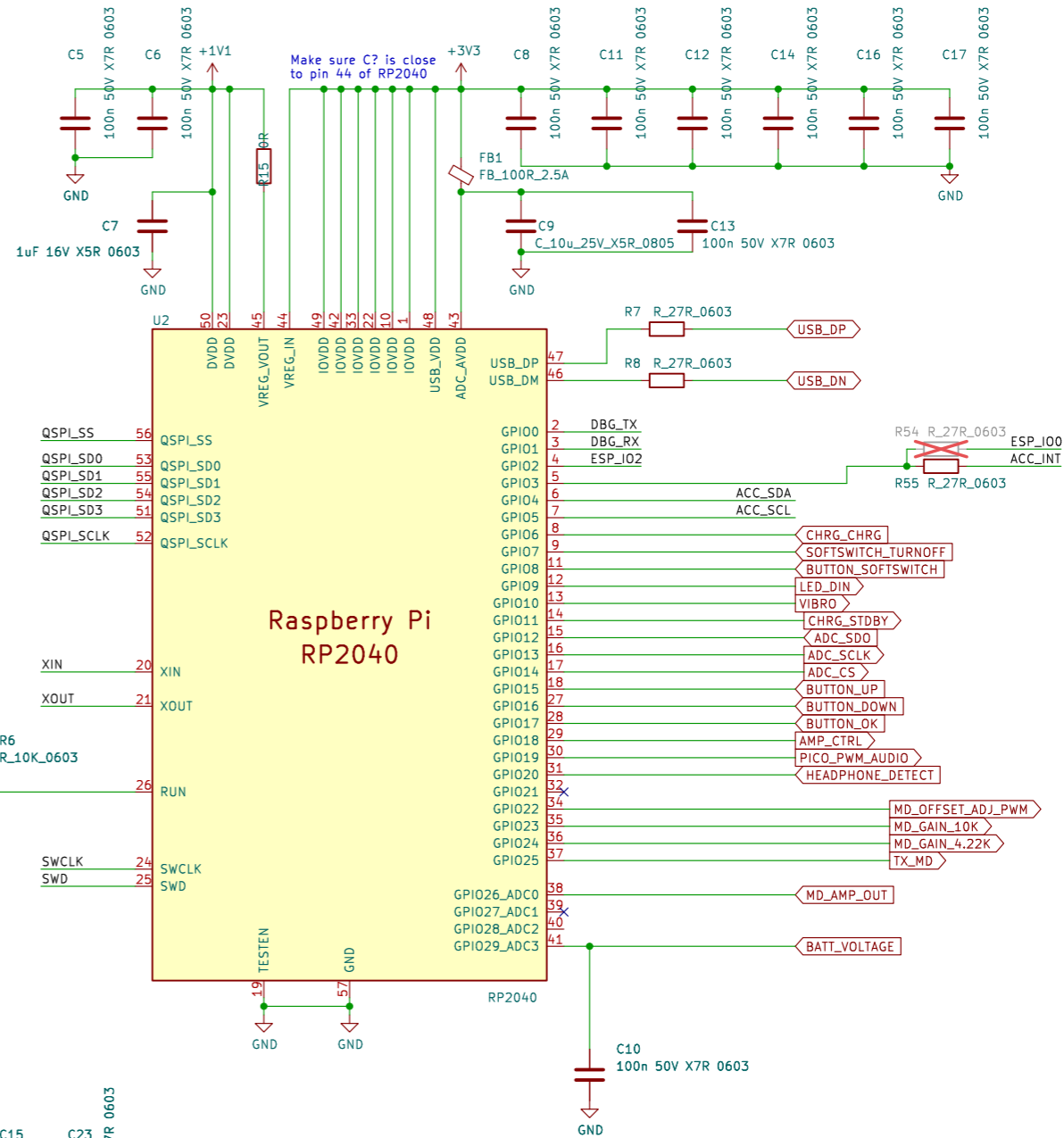
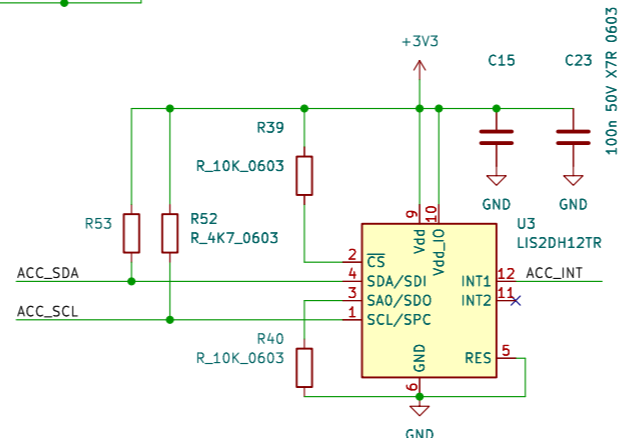
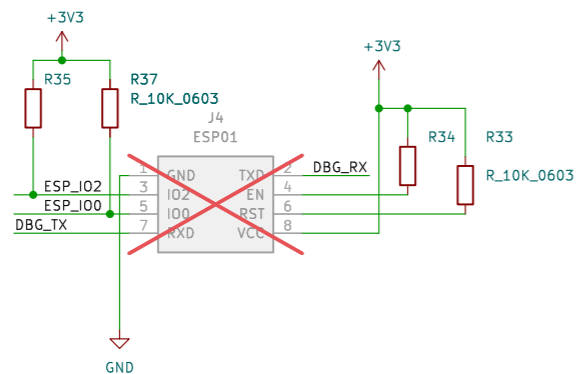
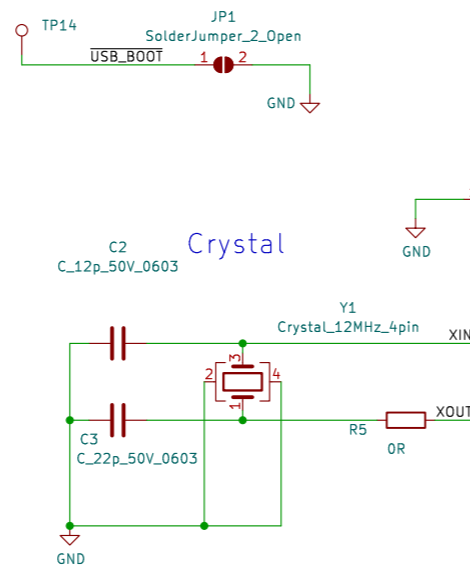
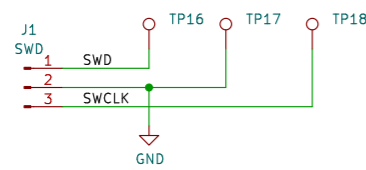
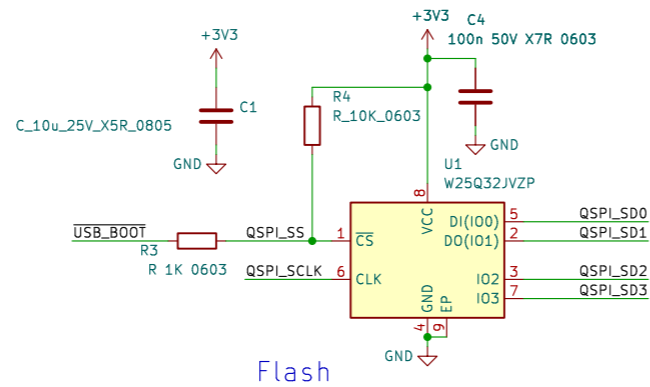
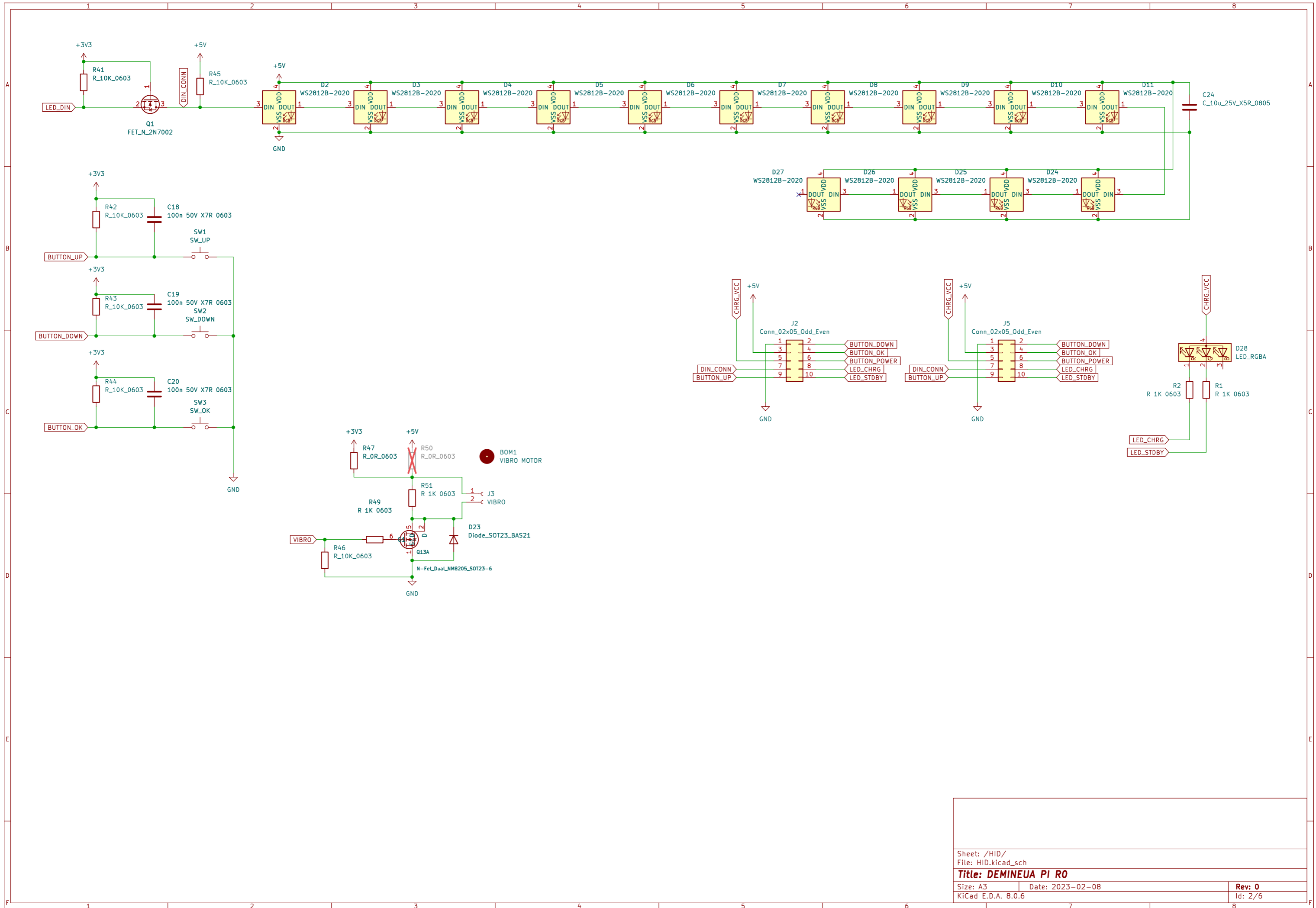
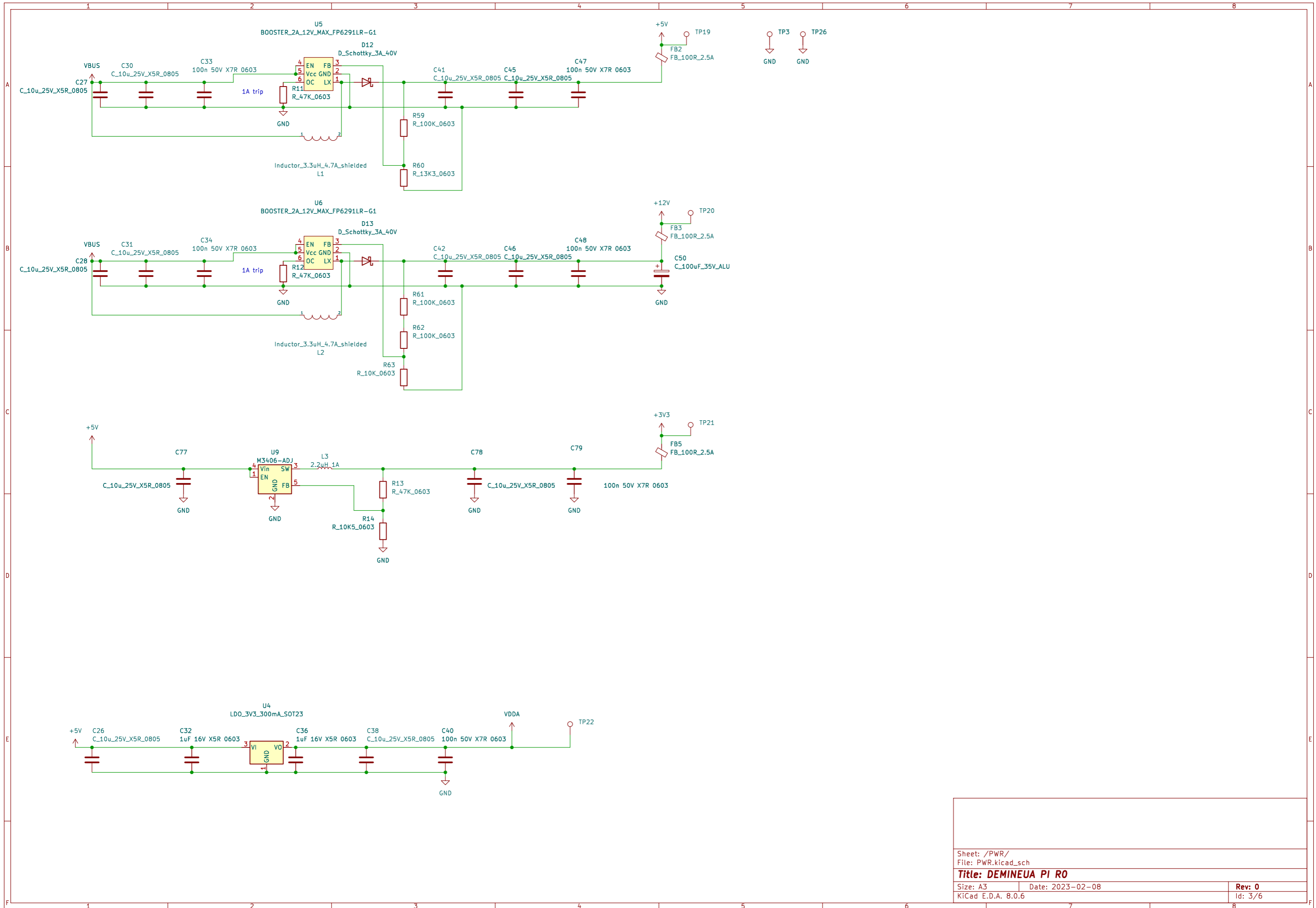


FID1 Fiducial
FID2 Fiducial

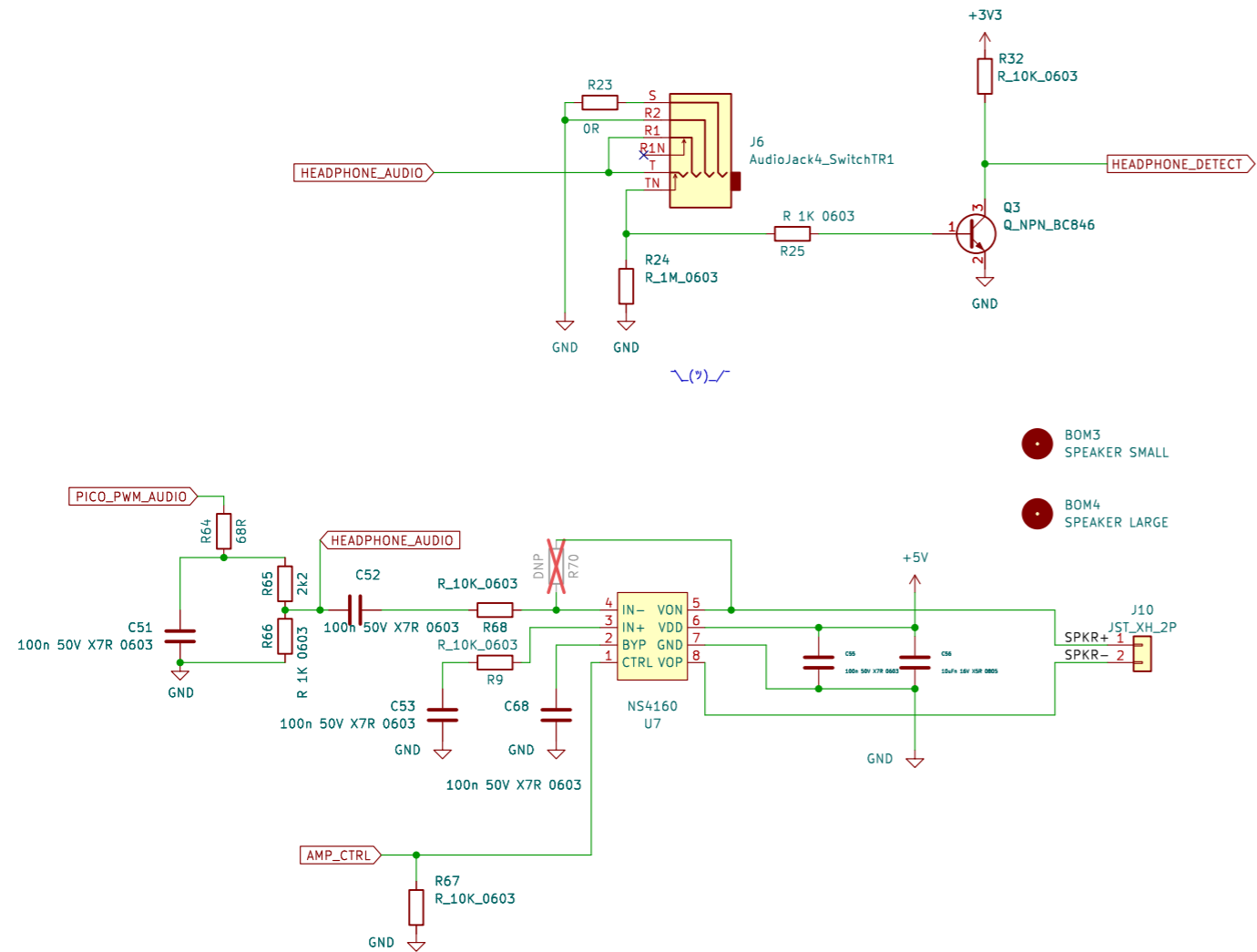


Sheet: /		
File: rp2040-PI-1.kicad_sch		
Title: DEMINEUA PI RO		
Size: A3	Date: 2023-02-08	Rev: 0
KiCad E.D.A. 8.0.6		Id: 1/6

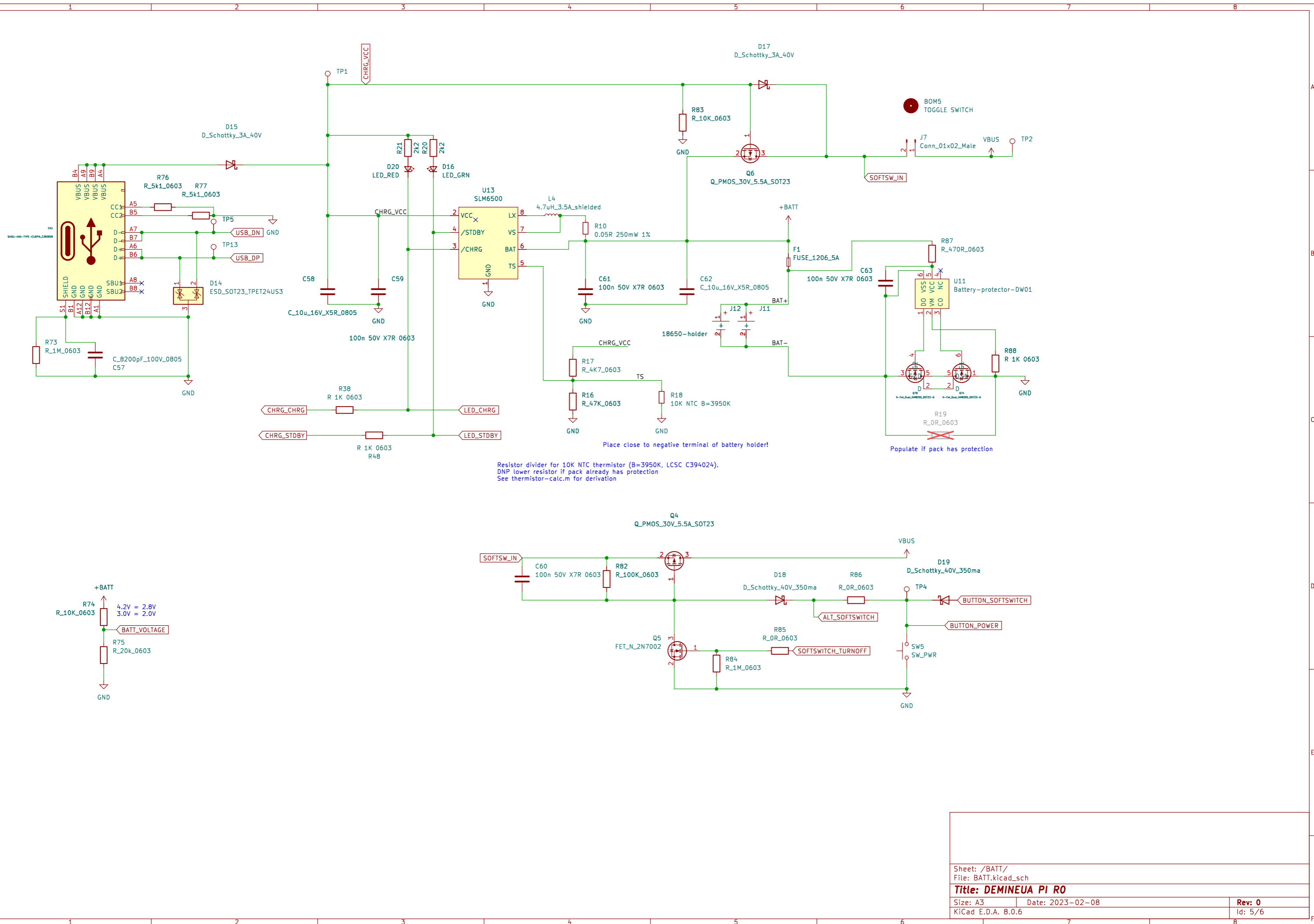




Sheet: /PWR/		
File: PWR.kicad_sch		
Title: DEMINEUA PI RO		
Size: A3	Date: 2023-02-08	Rev: 0
KiCad E.D.A. 8.0.6		Id: 3/6



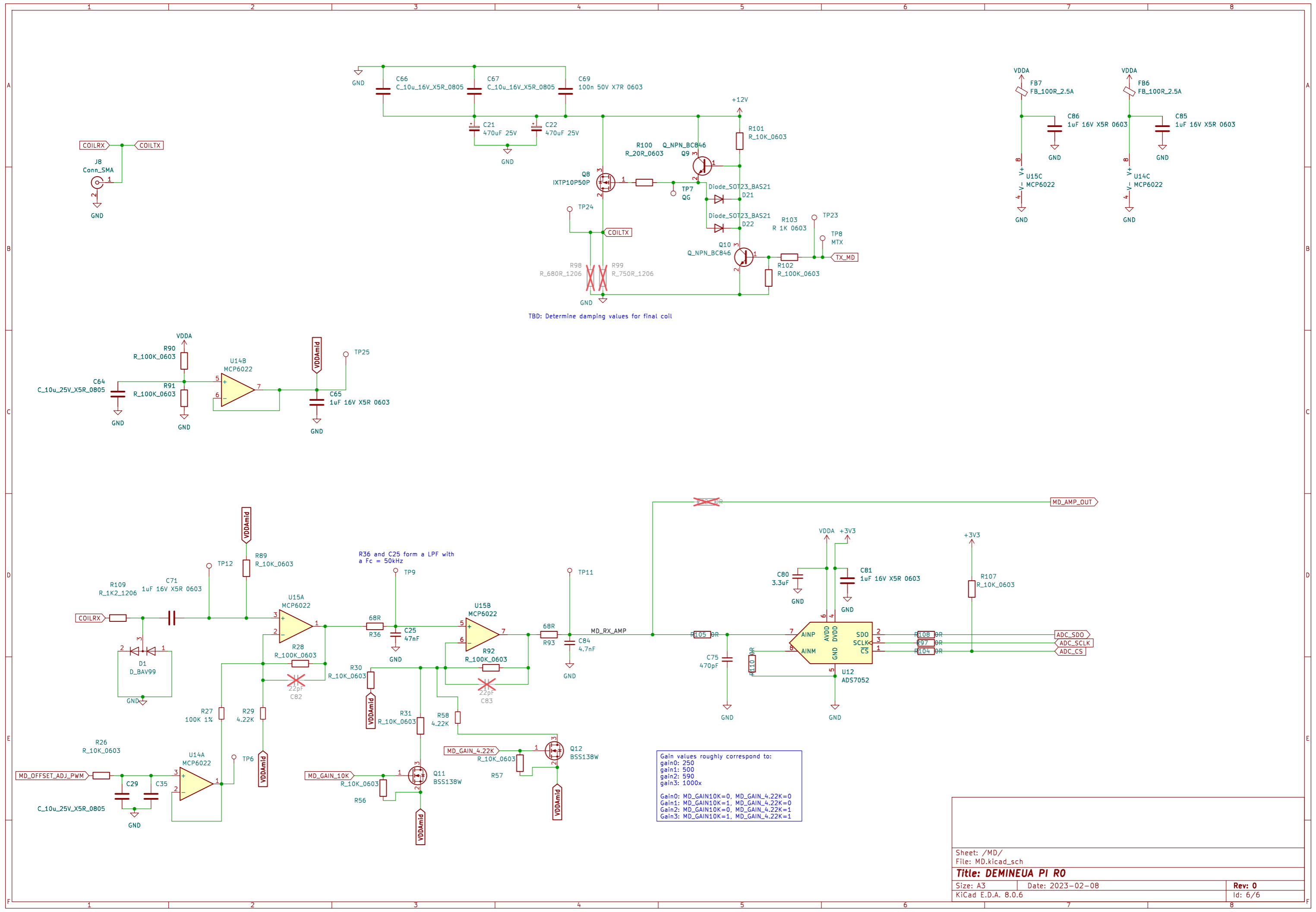
Sheet: /SOUND/		
File: SOUND.kicad_sch		
Title: DEMINEUA PI RO		
Size: A3	Date: 2023-02-08	Rev: 0
KiCad E.D.A. 8.0.6		Id: 4/6



Resistor divider for 10K NTC thermistor (B=3950K, LCSC C394024).
 DNP lower resistor if pack already has protection
 See thermistor-calc.m for derivation

Place close to negative terminal of battery holder!

Populate if pack has protection



TBD: Determine damping values for final coil

R36 and C25 form a LFP with a $F_c = 50\text{kHz}$

Gain values roughly correspond to:
 gain0: 250
 gain1: 500
 gain2: 590
 gain3: 1000x
 Gain0: MD_GAIN10K=0, MD_GAIN_4.22K=0
 Gain1: MD_GAIN10K=1, MD_GAIN_4.22K=0
 Gain2: MD_GAIN10K=0, MD_GAIN_4.22K=1
 Gain3: MD_GAIN10K=1, MD_GAIN_4.22K=1